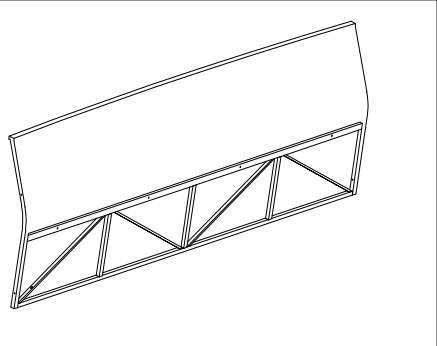
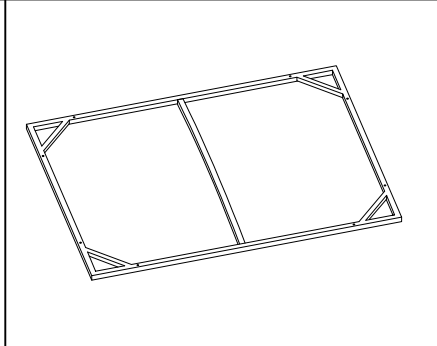
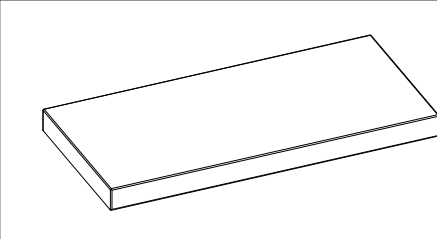
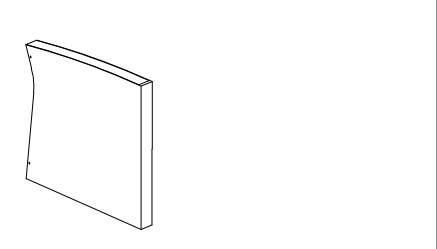
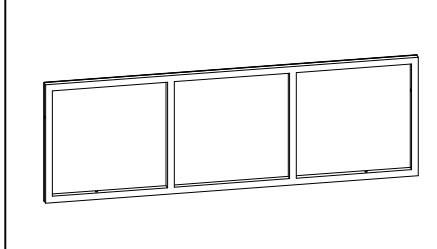
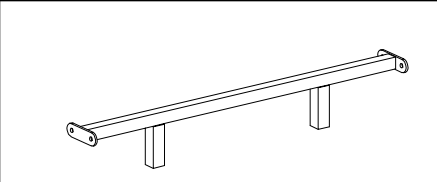
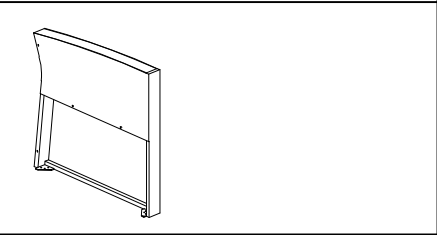
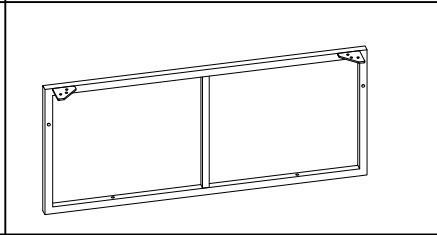

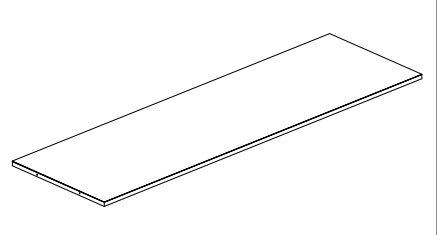
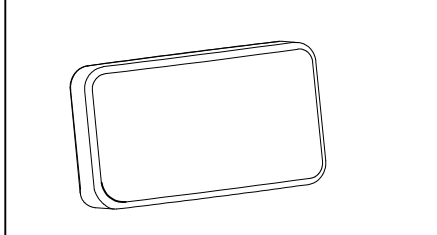
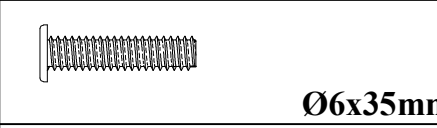
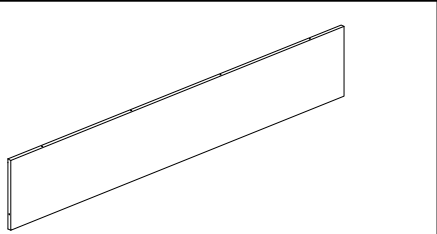
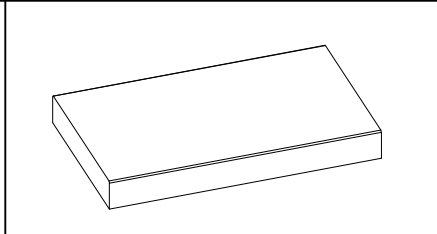
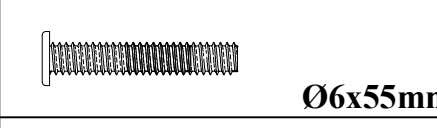
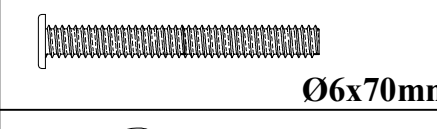

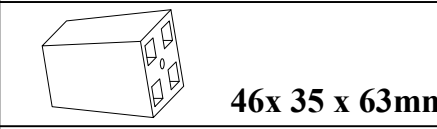
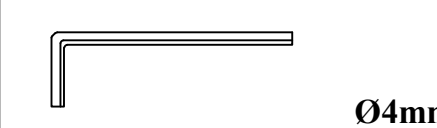
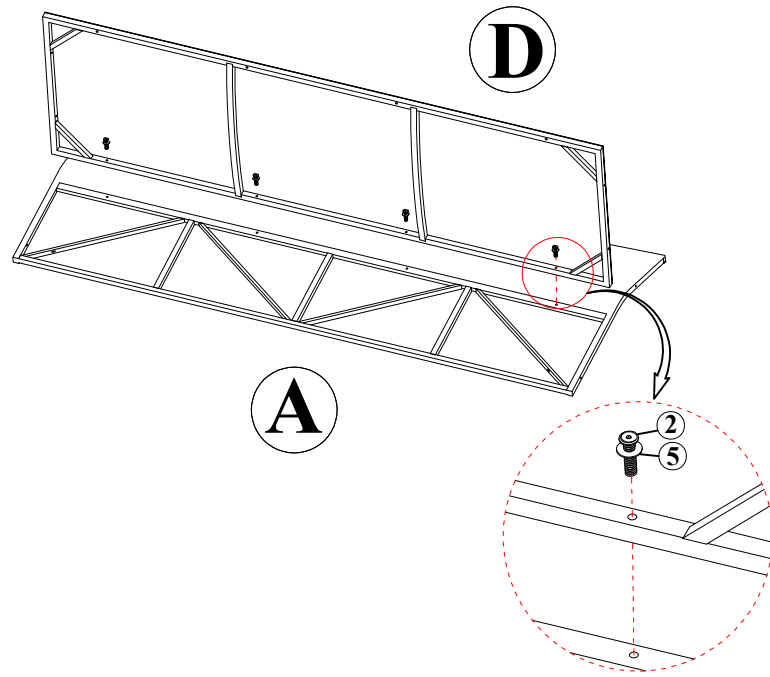
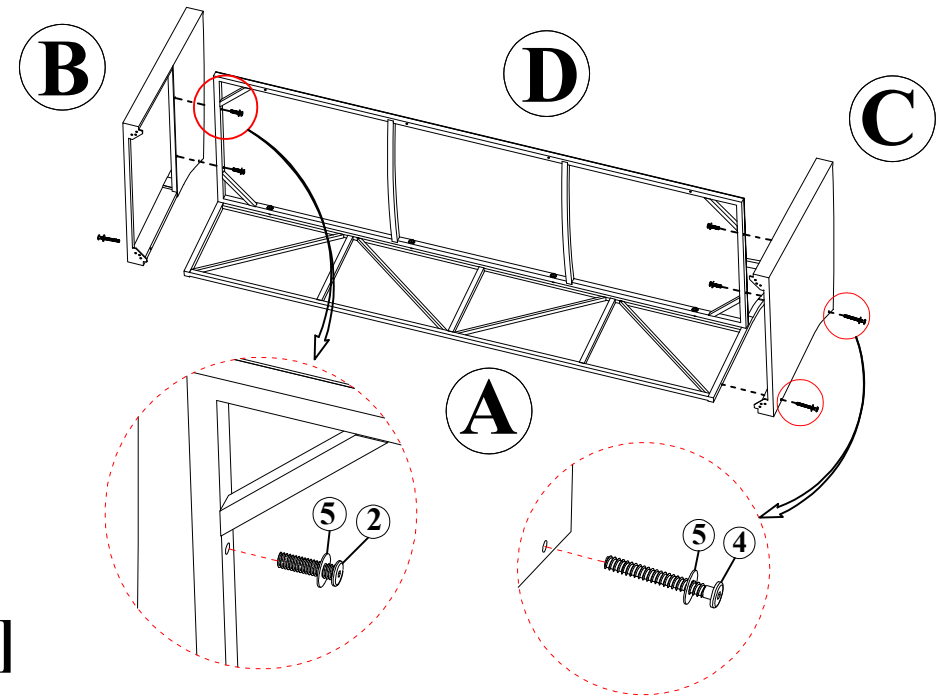


# PARTS

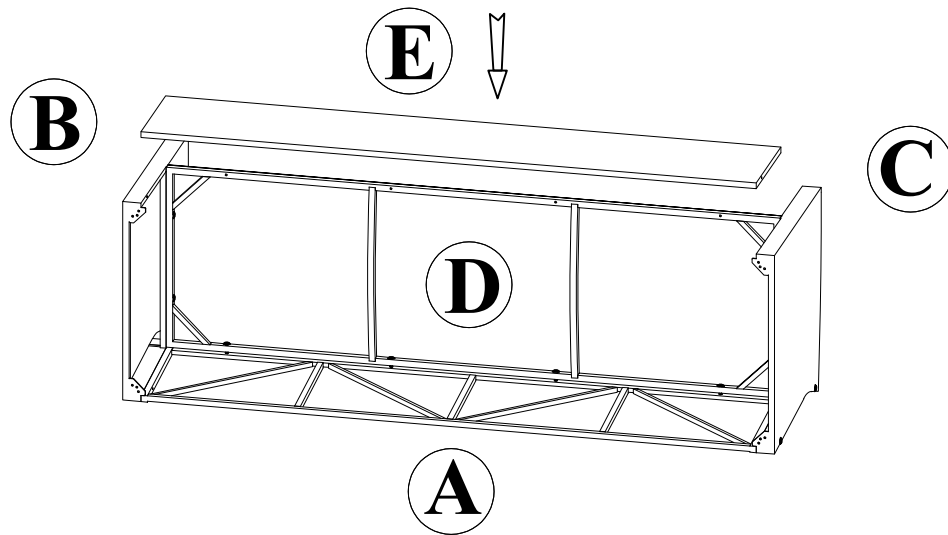
Item no.	Reference Image	Qty.	Item no.	Reference Image	Qty.	Item no.	Reference Image	Qty.
<b>A</b>		x1	<b>F</b>		x1	<b>K</b>		x1
<b>B</b>		x1	<b>G</b>		x2	<b>L</b>		x1
<b>C</b>		x1	<b>H</b>		x2	<b>1</b>	 Ø6x15mm	x 4
<b>D</b>		x1	<b>I</b>		x3	<b>2</b>	 Ø6x35mm	x 28
<b>E</b>		x1	<b>J</b>		x1	<b>3</b>	 Ø6x55mm	x 8
						<b>4</b>	 Ø6x70mm	x 4
						<b>5</b>	 Ø6.5x14x1mm	x 36
						<b>6</b>	 46x 35 x 63mm	x 8
						<b>7</b>	 Ø4mm	x 1



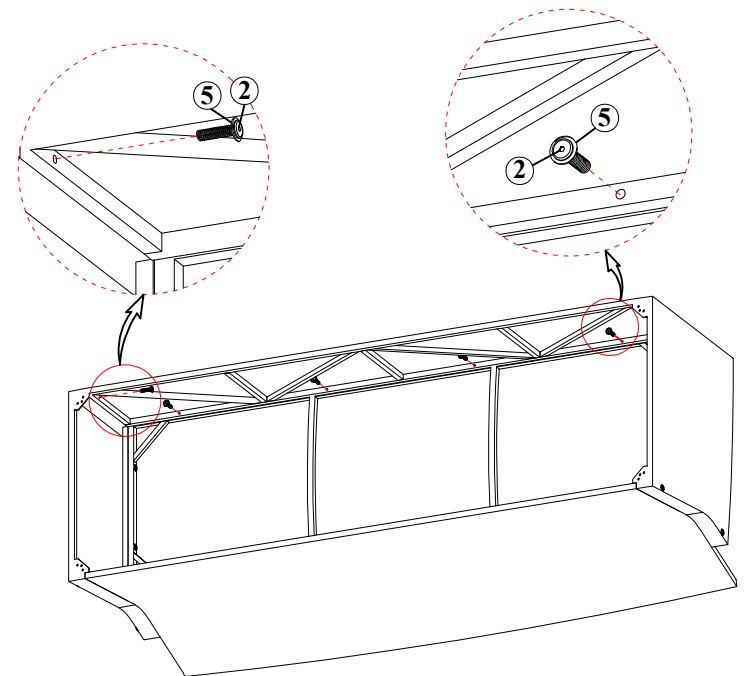
[1]



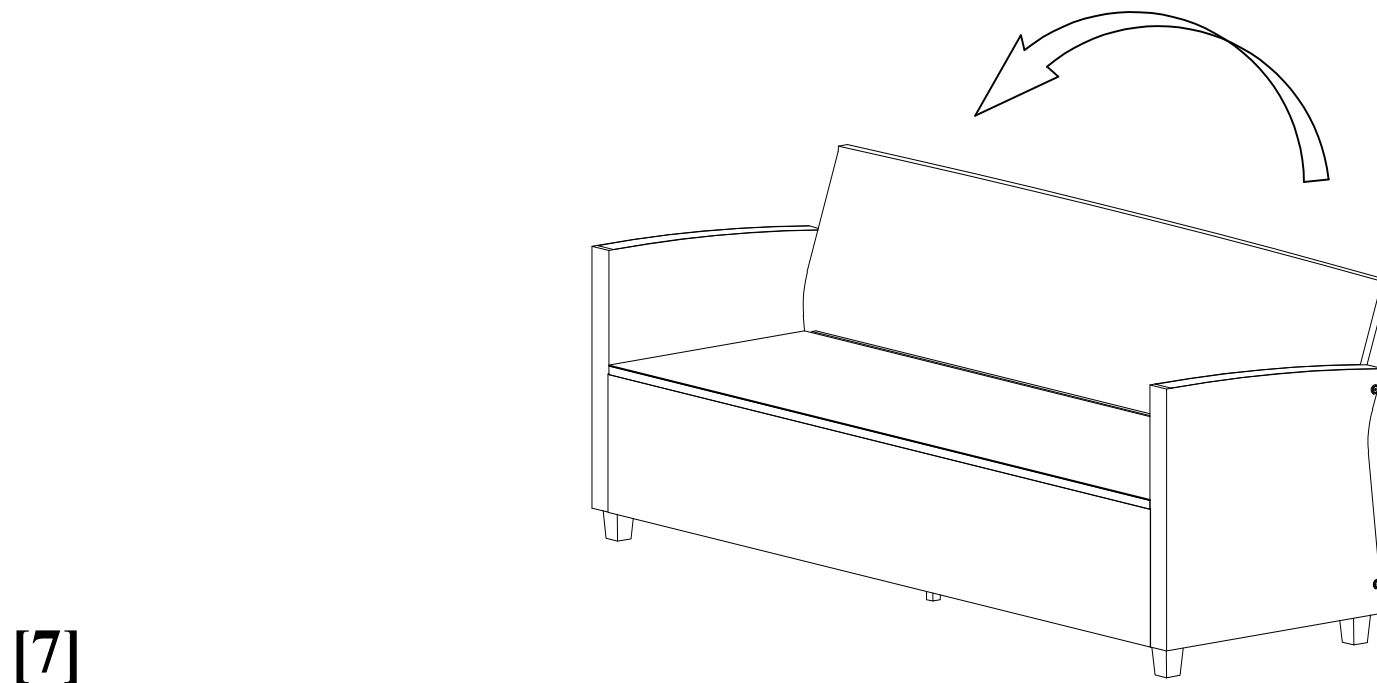
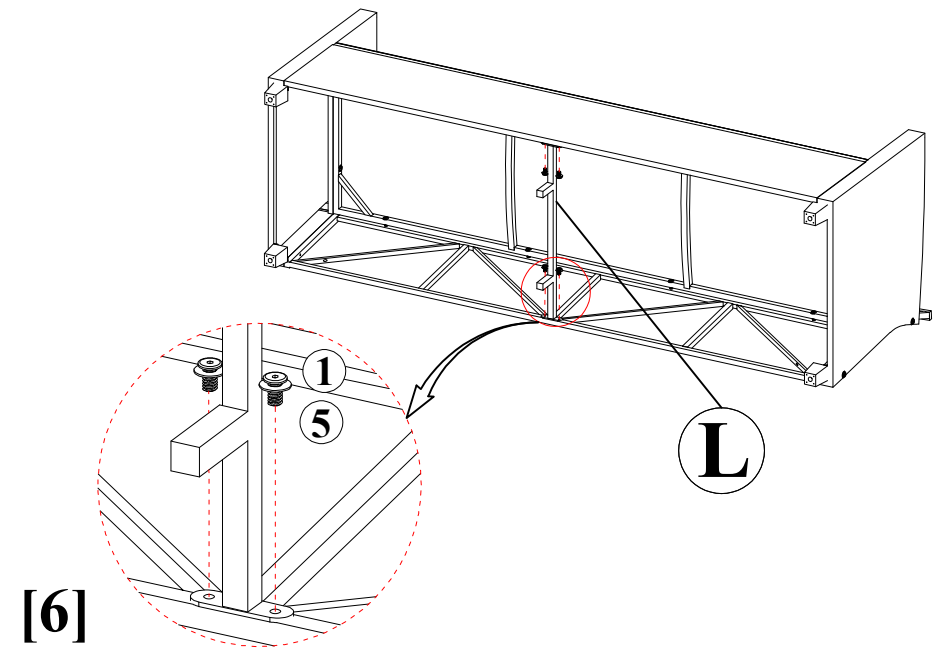
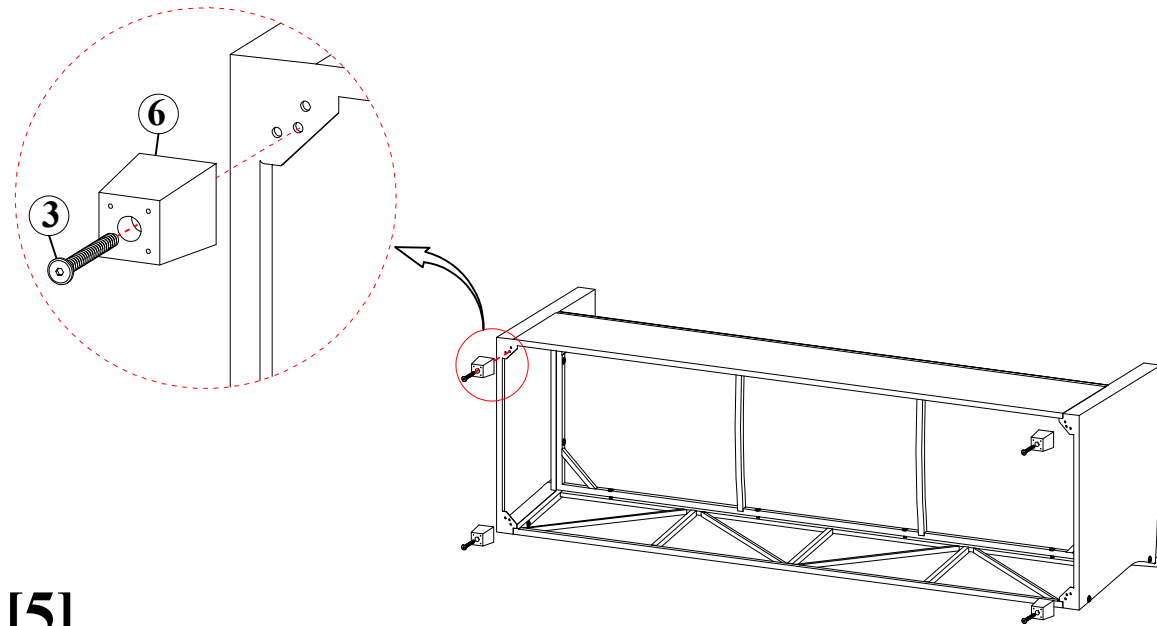
[2]

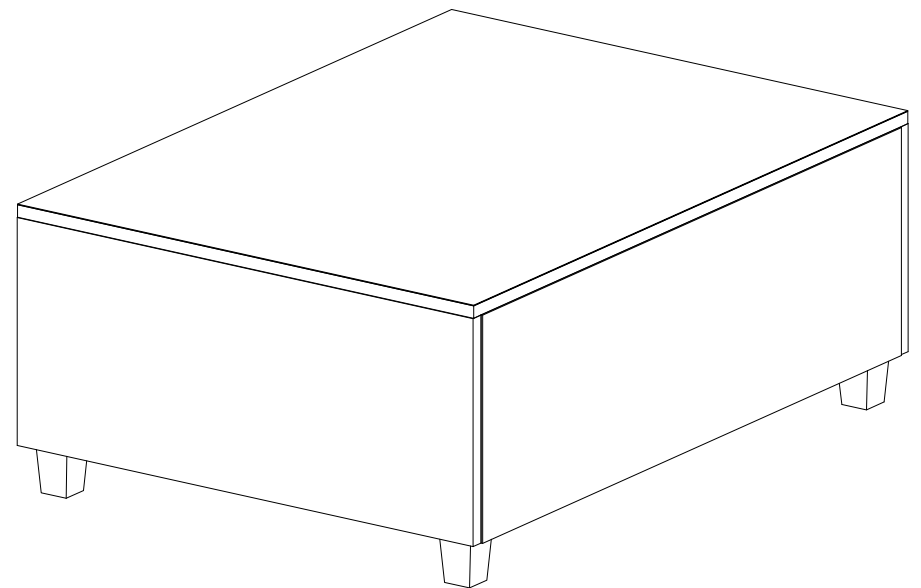
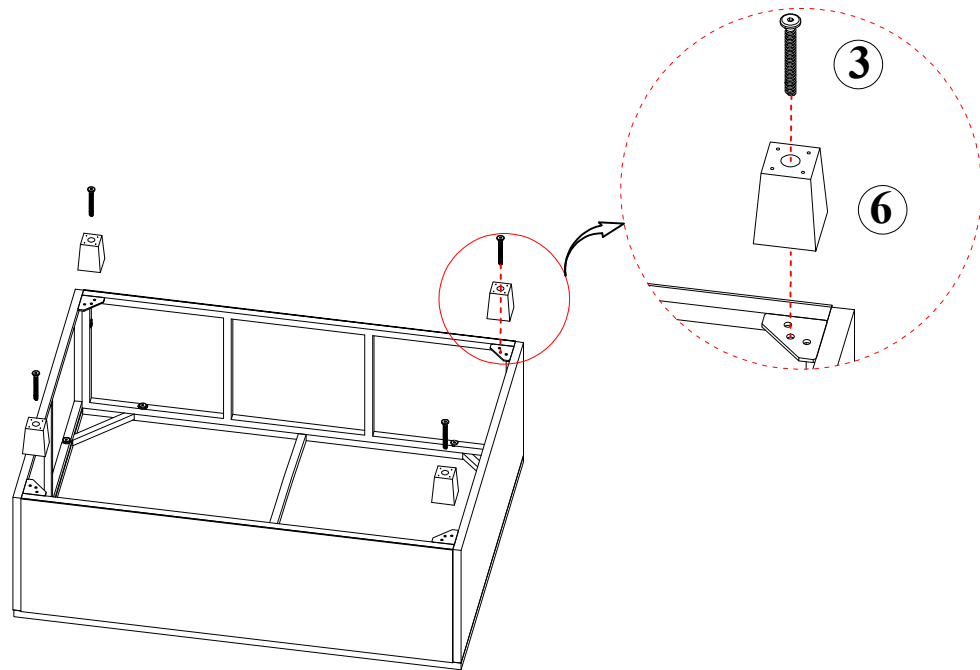
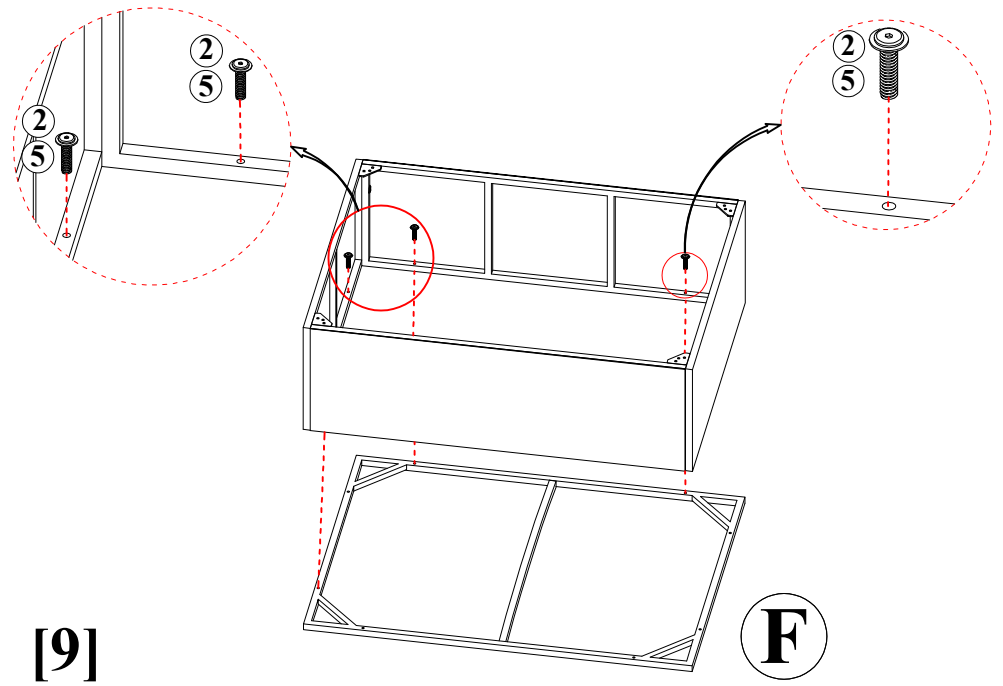
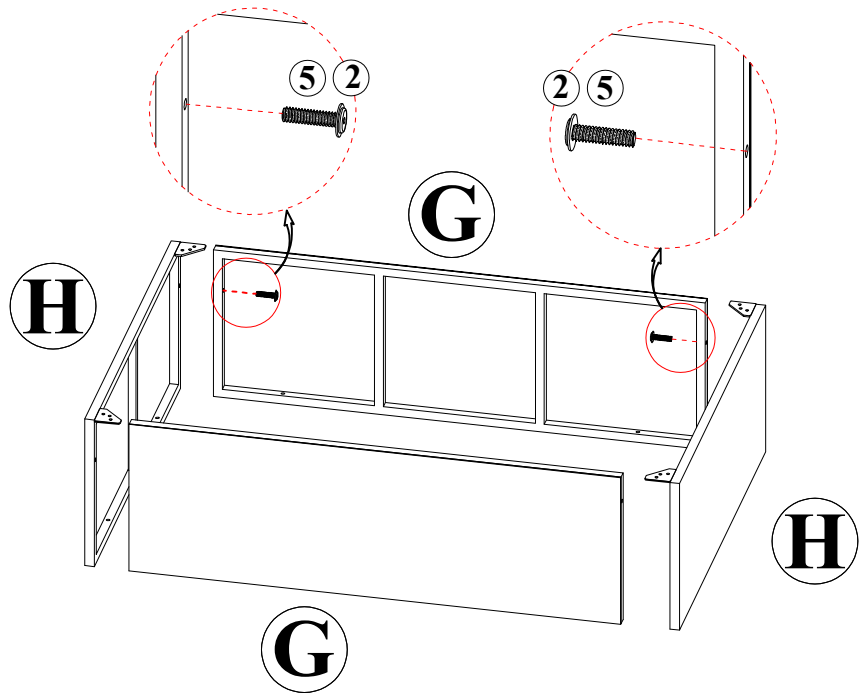


[3]



[4]





[10]

[11]

